



SLF62 SERIES ~ SMD Lind Filter

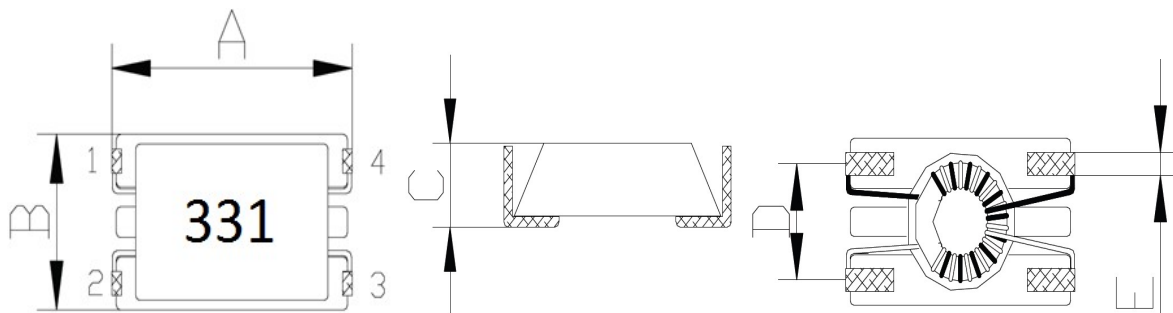


PART NUMBERING SYSTEM

SLF TYPE	62 DIMENSIONS	—	331 INDUCTANCE	—	LF LEAD FREE
--------------------	-------------------------	---	--------------------------	---	------------------------

SHAPES , DIMENSIONS AND PCB LAYOUT

UNIT : mm



A=6.50 Max. , B=3.6±0.3 , C=2.0 Max., D=2.54±0.3 , E=0.55 Ref.

FEATURES

- Designed for low profile effective in space conscious applications .
- Low profile, only 1.65 mm Typ.
- High current up to 300 mA
- Rated voltage: 80 VDC (42 VAC)
- Ideal for low resistance filters have been designed for excellent electrical isolation .
- Application for provide common mode noise attenuation and for the suppression of EMI in data lines and signal lines .
- Lead free and RoHS compliant



SLF62 SERIES ~ SMD Lind Filter



APPLICATIONS

- USB
- CAN
- FireWire
- Signal and sensor lines
- Power supply system
- Data lines
- Suppression of common mode noise

SPECIFICATION TABLE

PART NUMBER	INDUCTANCE	DCR(Ω)	Rated Current (mA)	Impedance (Z)	Insulation Test
	(μ H) 10KHz 20mV	(Max.) N1=N2		ohm (Max.)	Voltage VAC(Max.)
SLF62-100Y-LF	10 \pm 50%	0.24	300	1200	250
SLF62-470Y-LF	47 \pm 50%	0.16	300	300	250
SLF62-510Y-LF	51 \pm 50%	0.16	300	300	250
SLF62-820Y-LF	82 \pm 50%	0.20	300	440	250
SLF62-101Y-LF	100 \pm 50%	0.22	300	500	250
SLF62-181Y-LF	180 \pm 50%	0.25	300	1000	250
SLF62-221Y-LF	220 \pm 50%	0.28	300	1200	250
SLF62-331Y-LF	330 \pm 50%	0.30	300	2000	250

- Winding type : sectional
- Hi-Pot test : 250Vac 60Hz 3mA at 1 minute .
- Test equipment : Inductance value : HP4284A LCR meter ; Impedance value : HP4291A LCR Meter .
- Rated current : 40°C temperature rise from 25°C ambient.
- Operating temperature range -40°C to +105°C . Electrical specifications at 25°C.
- Packing : 13" reel, machine-ready ,embossed plastic tape (2,500 parts per full reel).